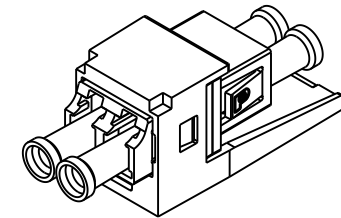
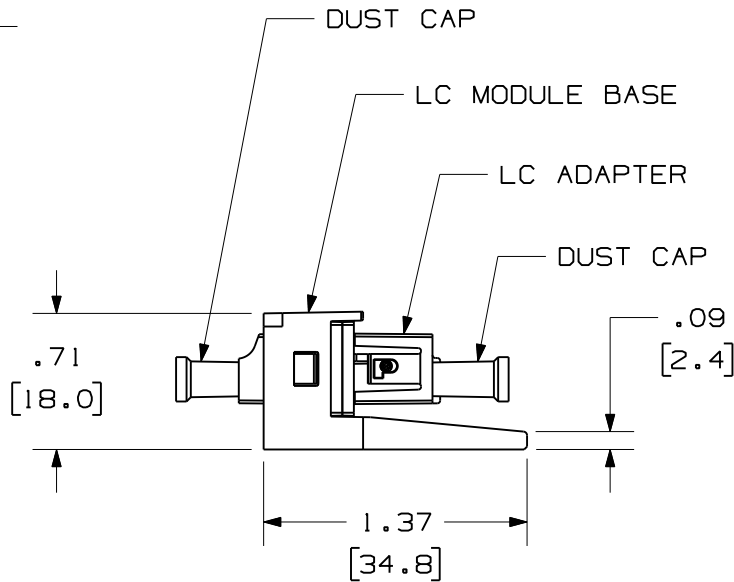
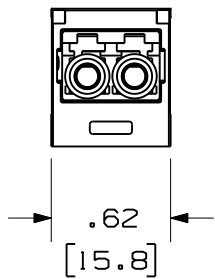
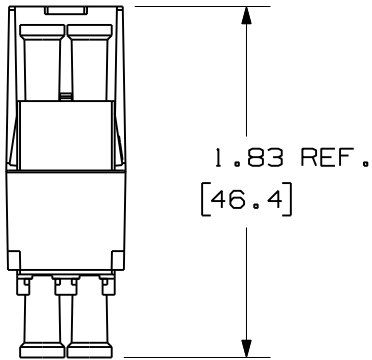


THIS COPY IS PROVIDED ON A RESTRICTED BASIS AND IS NOT TO BE USED IN ANY WAY DETRIMENTAL TO THE INTERESTS OF PANDUIT CORP.



| PANDUIT P/N | WEIGHT                              | SPLIT SLEEVE TYPE |
|-------------|-------------------------------------|-------------------|
| CMDJLC**    | .10 lbs/10 Pcs<br>[ 44.1 g/10 Pcs ] | PHOS BRONZE       |
| CMDJAQLC**  |                                     |                   |
| CMDJLCZ**   | .10 lbs/10 Pcs<br>[ 43.7 g/10 Pcs ] | ZIRCONIA          |
| CMDJAQLCZ** |                                     |                   |

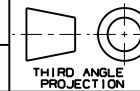
NOTES:

- SEE CURRENT CATALOG FOR PART NUMBER SUFFIXES TO INDICATE COLOR OF MODULE BASE, AND/OR PACKAGE QUANTITIES.
- SEE CATALOG FOR COMPLETE LIST OF PARTS APPLICABLE FOR USE WITH THIS PART.
- MATERIALS:
  - MODULE BASE: ABS
  - ADAPTER HOUSING: PLASTIC
  - SPLIT SLEEVE: SEE TABLE
  - DUST CAP: PLASTIC
- COMPATIBLE WITH TIA/EIA-604-10 (FOCIS-10) AND TIA/EIA-568B.3
- DIMENSIONS IN BRACKETS ARE METRIC [ mm ]

MINI-COM LC SENIOR/JUNIOR  
 DUPLEX FIBER OPTIC ADAPTER MODULE  
 CUSTOMER DRAWING



**PANDUIT**™  
 CORP.  
 TINLEY PARK, ILL 60477



ALL DIMENSIONS ARE GIVEN IN INCHES,  
 UNLESS OTHERWISE SPECIFIED,  
 DIMENSIONAL TOLERANCES ARE:  
 (.X) ±.03 | (.XXX) ±.010 | (0.3)  
 (.XX) ±.03 | (0.8) ANGLES

DRAWING FILENAME  
 M00948AK\_DC\_00B.prnt

SCALE  
 NONE

DRAWN BY  
 MC

REVIEW DRAWING NUMBERS

PART NO.  
 SEE TABLE

| REV | DATE     | BY | CHK | DESCRIPTION            | ECN      | R | CUST | SUP | OTH |
|-----|----------|----|-----|------------------------|----------|---|------|-----|-----|
| 1   | 03-11-05 | MC |     | RELEASED TO PRODUCTION | 00948-18 |   |      |     |     |

DATE  
 06-26-03

SEE NOTES

DRAWING NO.  
 00948-18

CHK'D  
 KWR

SIZE  
 A